

E220P/160/IS/500 Roof fan



Usage: Insulated roof fan for ventilation. Inner pipe is made of perforated, galvanized sheet metal and has a lip seal. A VILPE® pass-through according to the roofing material is required separately.

Dimensions: Duct size Ø 160 mm, external Ø 225 mm, height above roof approx. 500 mm.

Contents: Roof fan, screws, installation, operating and maintenance instructions. The P-series roof fans and exhaust ventilation pipes can be led watertightly with a pass-through set through a roof. VILPE® pass-through sets can be installed on any roofs with the most common pitches (less than 50 degrees). The pass-through set is always selected according to the roofing material of the roof. All the roof fans and exhaust ventilation pipes in the P-series are compatible with all pass-through set types. Using P-series XL roof fans and XL exhaust ventilation pipes requires an XL pass-through.



Color	Brick Red
EAN Code	6417323734798
Product code	73479
Color Code RR	RR750
Color Code RAL	RAL8004
Delivery	Stock
Gross weight	6.6500
Net Weight	5.1710

Duct size	160
Materials	expanded polystyrene, galvanized sheet steel , polypropene plastic (PP)
Package includes	cowl, fixing screws
Capacitor	2 µF
Current	0,39 A
Fan Type	AC
Power	88 W
Rotation Speed	2100 rpm
Voltage	230V/50Hz

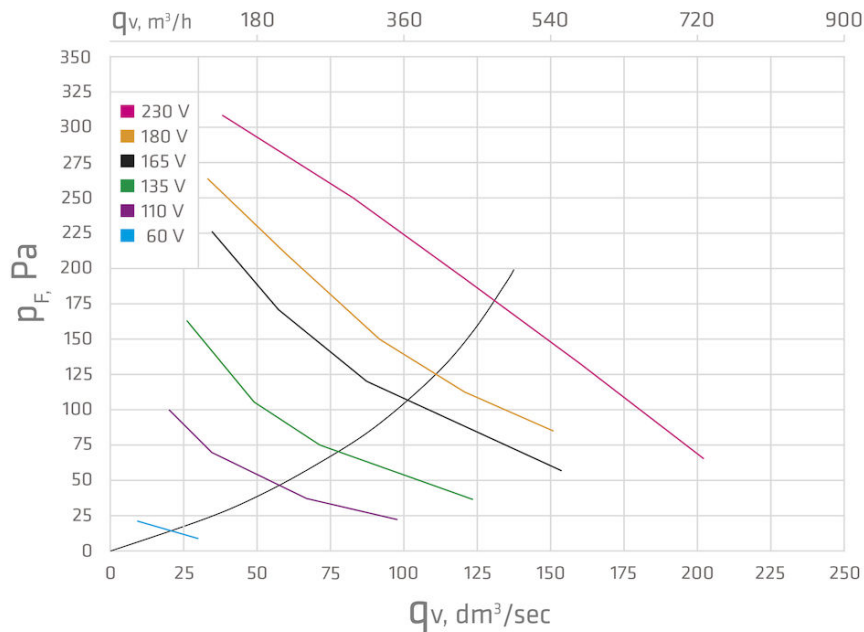
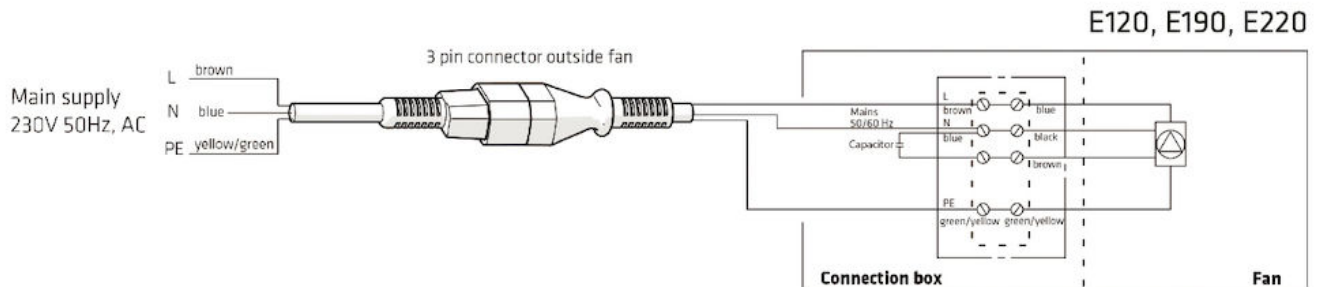
› VILPE.COM

SK Tuote Oy
Kauppatie 9, FI-65610 Mustasaari
Telephone +358 20 123 3200

Sales & Technical Support | FI +358 20 123 3233 | EN +358 20 123 3222 | RU +358 20 123 3290 | SE +46 70 511 2020 | PL +48 71 740 2623
myynti@sktuote.fi | sales@sktuote.fi

Page: 1
02.03.2017

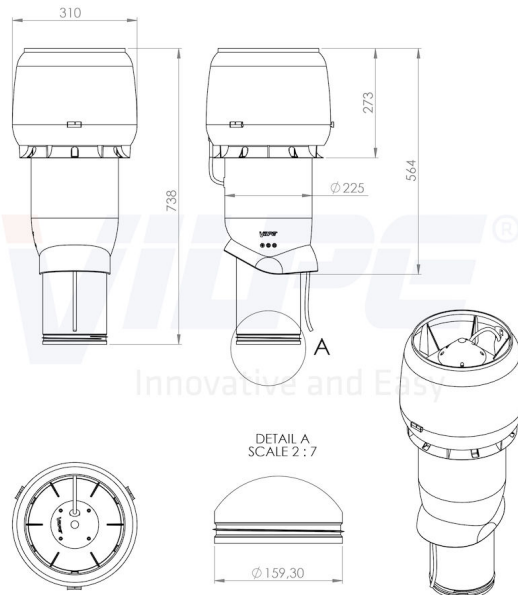
E220P/160/IS/500 Roof fan



E220P/160/IS/500 Roof fan



		E220					
		60 V	110 V	135 V	165 V	180 V	230 V
q V1	dm ³ /s	30.4	67.8	72.7	88.5	121.6	160.6
p tF	Pa	9	37	74	118	110	130
PE	W	10.0	30.0	43.0	60.7	69.0	99.0
ηtE	-	0.028	0.083	0.125	0.172	0.194	0.211
n	1/min	518	1077	1386	1727	1892	2266
L W63	dB	45.6	52.9	61.7	64.6	60.1	62.2
L W125	dB	50.0	66.0	71.5	76.3	72.2	74.3
L W250	dB	42.8	59.4	64.8	70.4	67.9	70.5
L W500	dB	26.2	48.5	52.7	58.1	61.1	65.0
L W1000	dB	35.0	49.6	53.5	57.8	60.7	64.6
L W2000	dB	21.0	40.4	47.0	52.5	56.2	60.8
L W4000	dB	*	30.4	39.1	45.9	49.0	56.6
L W8000	dB	*	*	24.8	34.0	38.0	44.3
L W	dB	52.0	67.2	72.8	77.7	74.3	76.8
L WA	dB (A)	39.6	56.0	61.2	66.4	66.1	69.7



Copyright © 2014 SK Tuote Oy. All rights reserved.

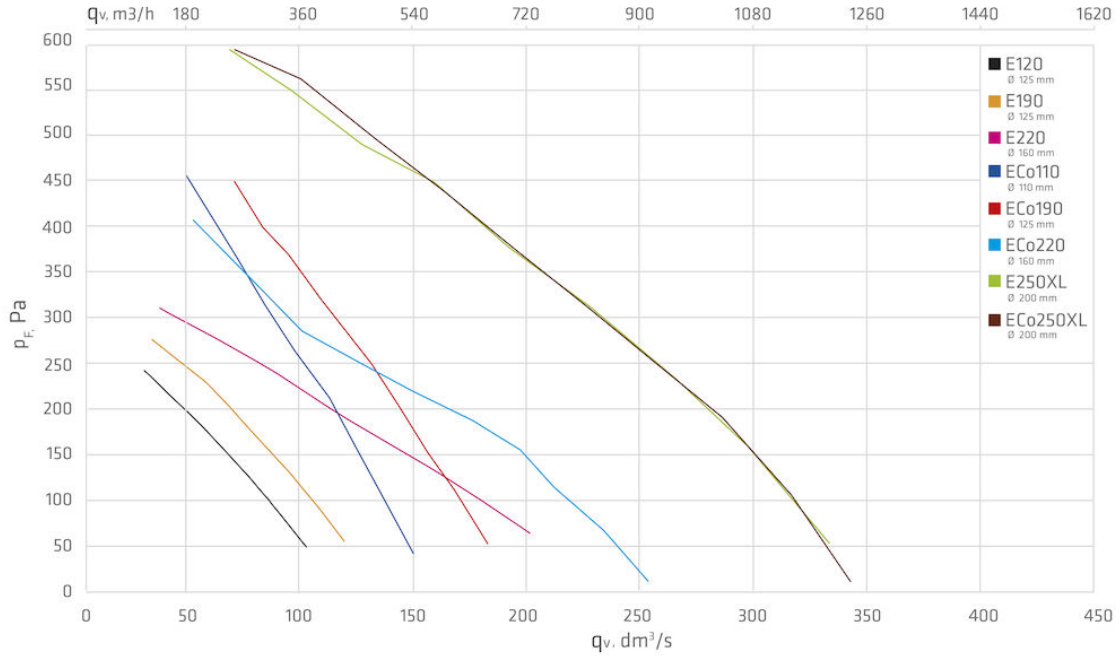
VILPE.COM

SK Tuote Oy
Kauppatie 9, FI-65610 Mustasaari
Telephone +358 20 123 3200

Sales & Technical Support | FI +358 20 123 3233 | EN +358 20 123 3222 | RU +358 20 123 3290 | SE +46 70 511 2020 | PL +48 71 740 2623
myynti@sktuote.fi | sales@sktuote.fi

Page: 3
02.03.2017

E220P/160/IS/500 Roof fan



> VILPE.COM

SK Tuote Oy
Kauppatie 9, FI-65610 Mustasaari
Telephone +358 20 123 3200

Sales & Technical Support | FI +358 20 123 3233 | EN +358 20 123 3222 | RU +358 20 123 3290 | SE +46 70 511 2020 | PL +48 71 740 2623
myynti@sktuote.fi | sales@sktuote.fi

Page: 4
02.03.2017